

# LARGE STEEL & ALUMINUM REELS

Custom Reels Made to Order

**Torroidal, Structural Steel, Aluminum  
and Galvanized Available.**



*Specify OD, ID,  
Width and Arbor*

---

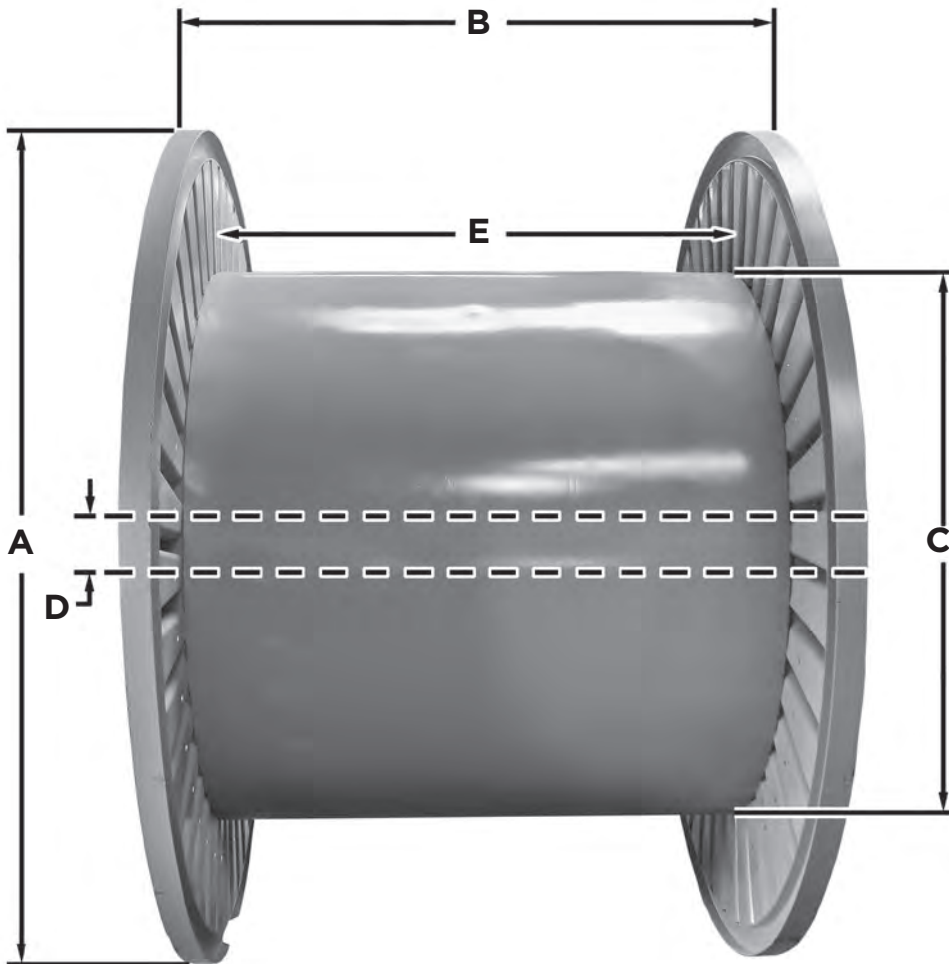
**REEL**  **MATIC**®

The Leader in Reeling, Coiling & Processing Solutions

6408 S. Eastern Avenue | Oklahoma City, OK. 73149  
405.672.0000 | 405.672.7200 Fax  
[www.reelomatic.com](http://www.reelomatic.com)

# LARGE STEEL & ALUMINUM REELS

Custom Reels Made to Order



- A: Flange Diameter**
- B: Overall Width**
- C: Drum Diameter**
- D: Arbor Hole**
- E: Inside Traverse**



**REEL-O-MATIC**

The Leader in Reeling, Coiling & Processing Solutions

6408 S. Eastern Avenue | Oklahoma City, OK. 73149  
405.672.0000 | 405.672.7200 Fax  
www.reelomatic.com