

Reels

Large Steel & Aluminum Reels

**Torroidal, Structural Steel, Aluminum
and Galvanized Available.**



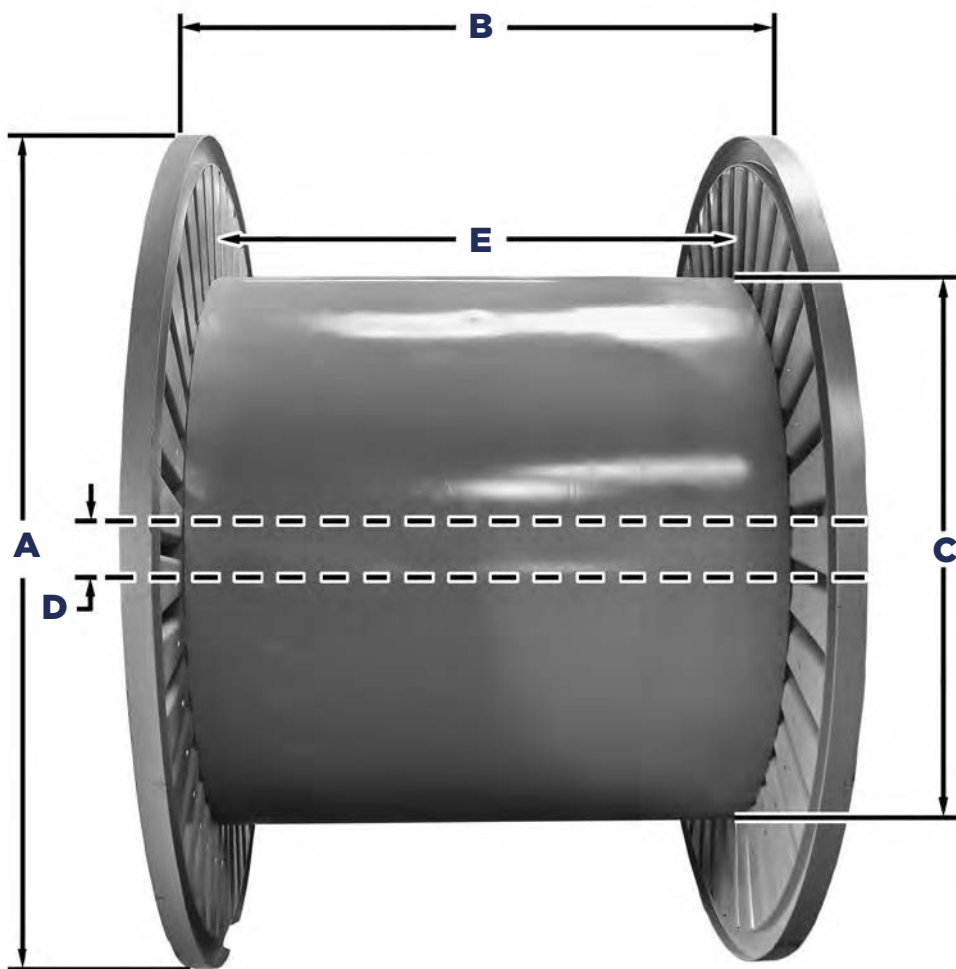
Specify OD, ID, Width, and Arbor

REELPOWER
INDUSTRIAL

5101 S. Council Road, Suite 100 • Okla. City, OK. 73179
405.672.0000 • 405.672.7200 Fax
www.reelpowerwc.com

REELS

Large Steel & Aluminum Reels



- A: Flange Diameter**
- B: Overall Width**
- C: Drum Diameter**
- D: Arbor Hole**
- E: Inside Traverse**

