

# Reels

## *Large Steel & Aluminum Reels*

**Torroidal, Structural Steel, Aluminum  
and Galvanized Available.**



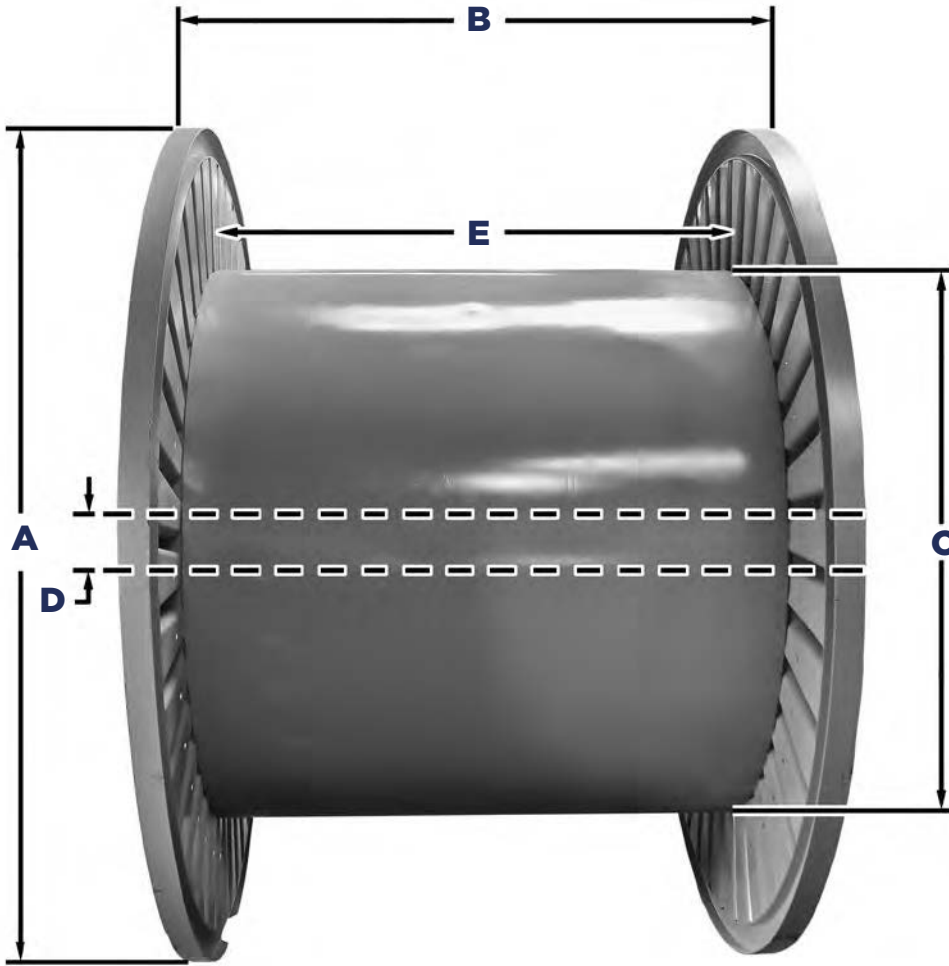
**Specify OD, ID, Width, and Arbor**

**REELPOWER**  
INDUSTRIAL

5101 S. Council Road, Suite 100 • Okla. City, OK. 73179  
405.672.0000 • 405.672.7200 Fax  
[www.reelpowerind.com](http://www.reelpowerind.com)

# REELS

## Large Steel & Aluminum Reels



- A: Flange Diameter**
- B: Overall Width**
- C: Drum Diameter**
- D: Arbor Hole**
- E: Inside Traverse**

