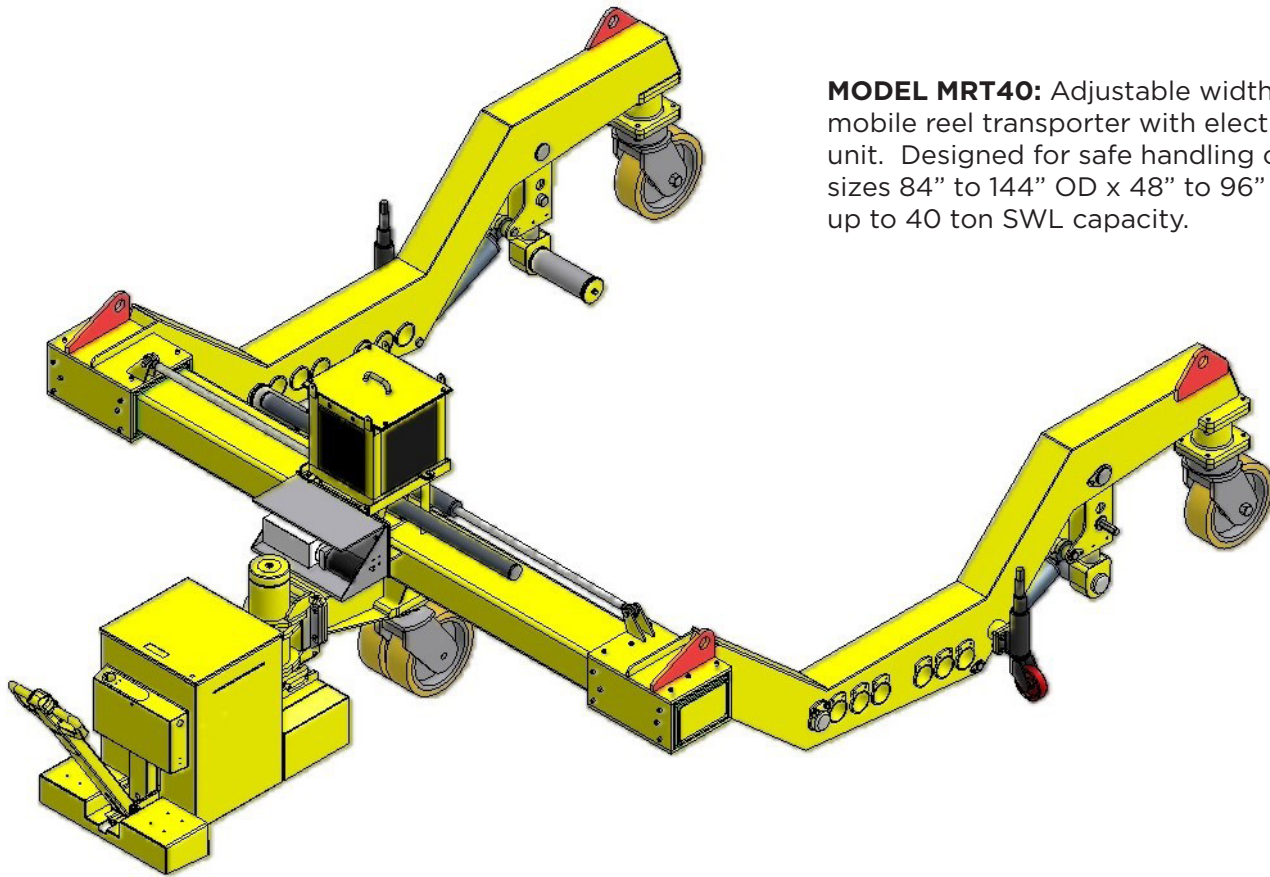


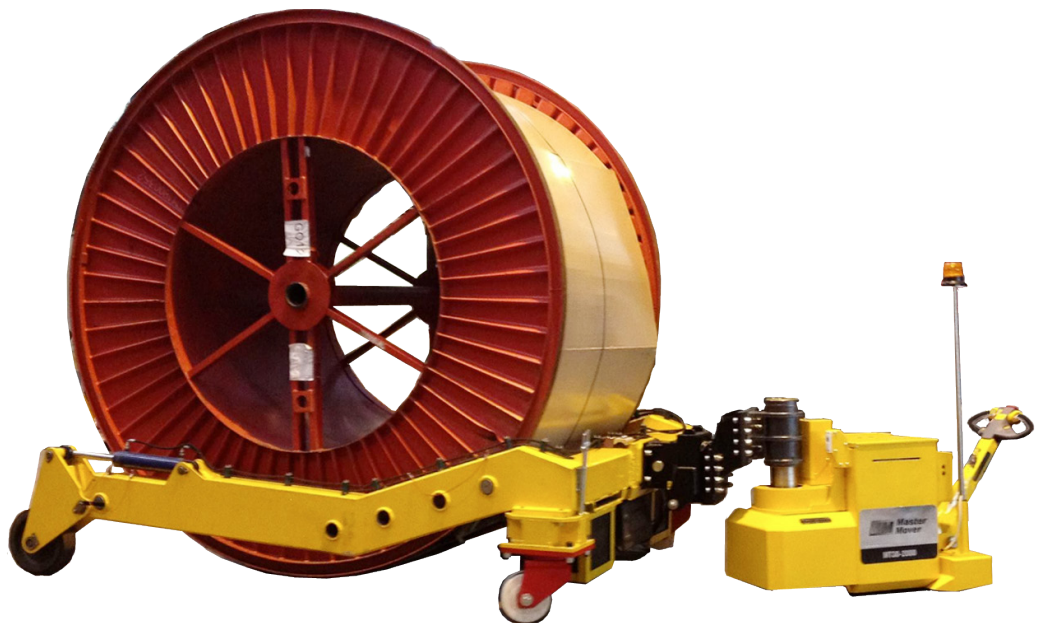
MOBILE REEL TRANSPORTER

MRT Series



MODEL MRT40: Adjustable width and OD mobile reel transporter with electric tug unit. Designed for safe handling of drum sizes 84" to 144" OD x 48" to 96" Wide x up to 40 ton SWL capacity.

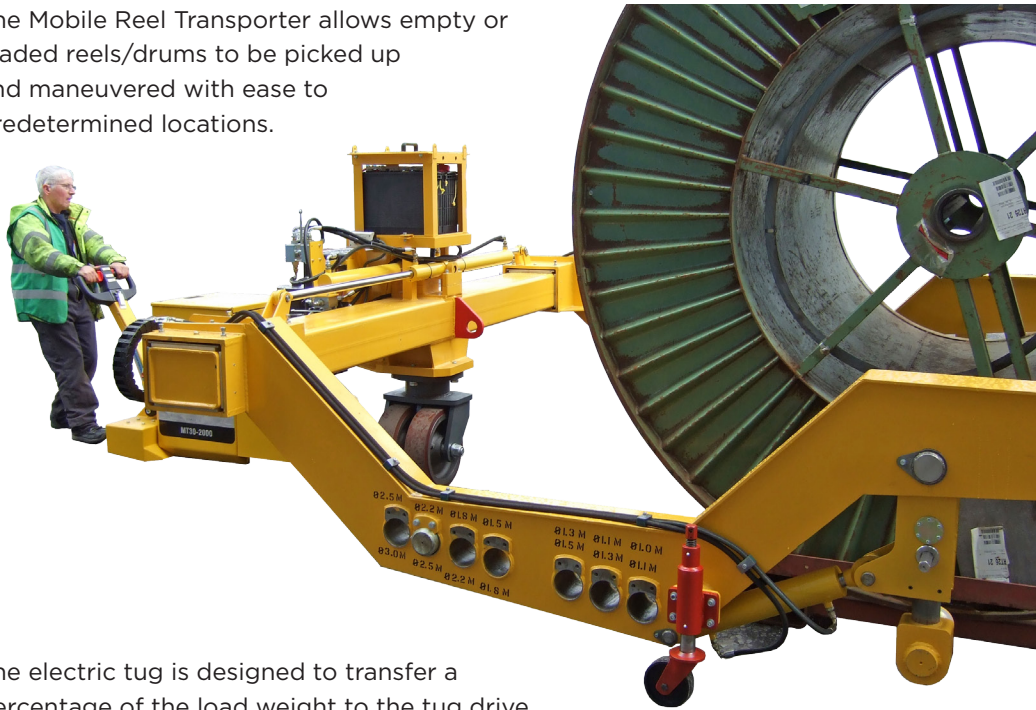
MODEL MRT20: Designed to allow a single operator to easily push, pull and steer wheeled loads weighing up to 40,000 lbs.



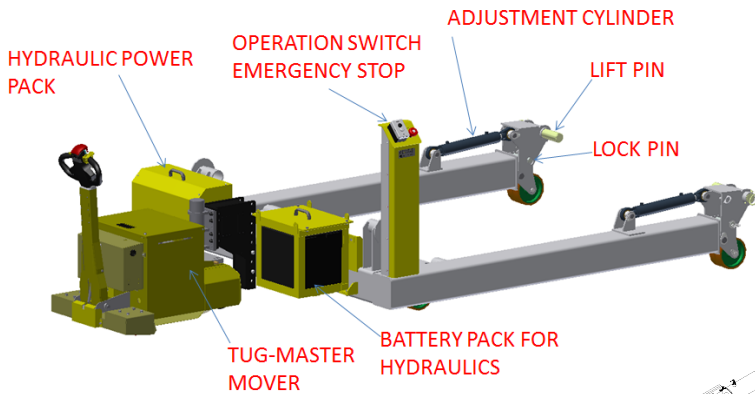
MOBILE REEL TRANSPORTER

MRT Series

The Mobile Reel Transporter allows empty or loaded reels/drums to be picked up and maneuvered with ease to predetermined locations.



The electric tug is designed to transfer a percentage of the load weight to the tug drive wheels via the coupling system.



Other Available Features:

- Remote Controlled Gas or Electric Hybrid Power Drive Systems
- Outdoor Trailer with Industrial Tires



Raise and lower reels from floor with ease.



Easily maneuver large reels in limited spaces and narrow aisles.



MODEL MRT2.5: 5,000 LB Capacity

MODEL MRT55: Adjustable width and OD mobile reel transporter with hybrid power drive unit. Designed for safe handling of drum sizes 84" to 144" OD x 48" to 96" Wide x up to 55 ton SWL capacity.

