

SINGLE TSTU

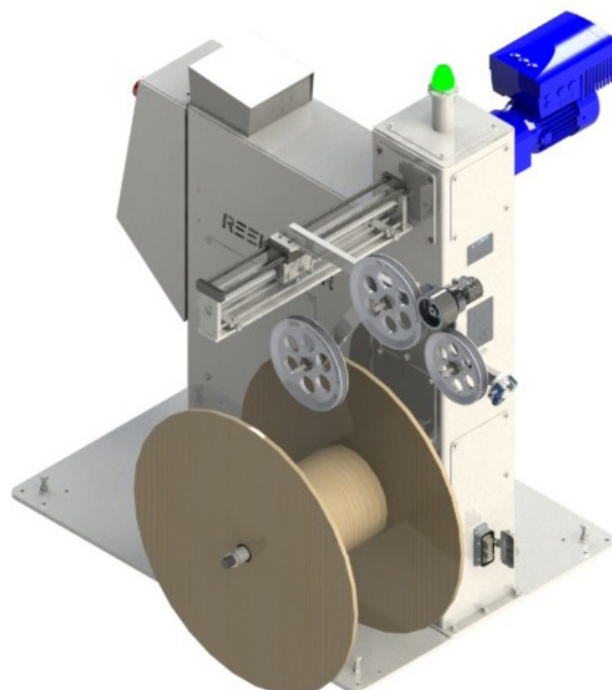


Single Shafted Tower Style Take up

Model TSTU is a lightweight, economical yet sophisticated take up machine perfect for reeling product up to 1.5 in. width at rates up to 250 fpm*. It is ideal for 30-inch spools up to 15 inches wide and weighing 150 lb. Reduce unproductive shop time while impressing your customers and with perfect, snag-free product spools/coils. This unit comes complete with manual controls, on-the-fly speed changes, an automatic level wind system, programmable stop to length technology. This compact unit can be fixed to the floor, use leveling feet or made portable with locking casters. Combine this unit with the Tower Style Pay Off unit and Low Tension No Contact dancer for the ultimate, flexible and foolproof system to meet your reeling needs.

Features & Benefits

- Reliable, low maintenance design
- High torque 3/4 or 2 hp AC electric motor
- Speed compensated levelwind system
- Automated cut-to-length technology
- Adjustable acceleration/deceleration rates
- Quiet belt and e-clutch driven components
- On-the-fly speed adjustment, Fwd/Rev/Jog
- Minimum spool height for easy loading
- Plug in style shaft adapters
- 51 - 60.5 in. line height
- Casters, leveling feet or bolt down
- LOTO power switch & Illuminated E-Stop
- Heavy gauge power coated steel
- 3/4 x 18 in. plugin shaft & collar
- R-L or L-R Orientation



SINGLE TSTU - R-L

Specs

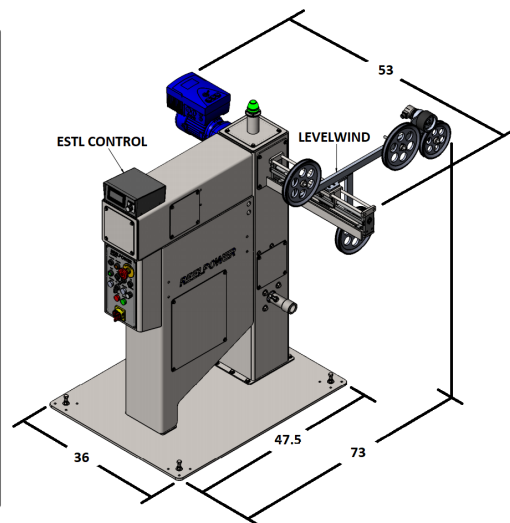
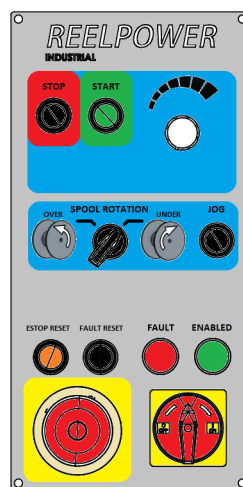
- 2 in. product OD/width
- 150 lb. capacity per shaft
- Accepts Ø 30" x 15"W spools

Utility Requirements - See Options page 2

Approximate Weight and Dimensions

- 73"W x 53"D x 63.5" - 73"H
- Actual Footprint: 47.5"W x 36"D
- 1,042 lb.

*Speed based on 8-in. OD core.



SINGLE TSTU



Single Shafted Tower Style Take up

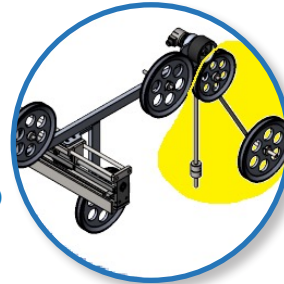
Tower Style Take Up

Options

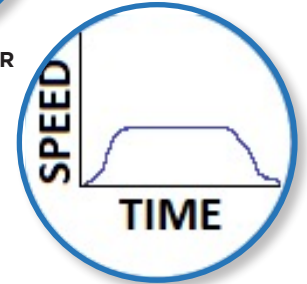
- Feed orientation: L-R R-L
- Support: Casters Leveling feet None (bolt down)
- Motor design: (Choose HP, voltage and phase)
- Motor horsepower: (Choose HP, voltage and phase)

Motor horsepower	<input type="checkbox"/> 3/4 HP	<input type="checkbox"/> 2 HP
Voltage/ Phase	<input type="checkbox"/> 120/ 230 VAC/1~	<input type="checkbox"/> 230 VAC/1~
	<input type="checkbox"/> 230/ 480 VAC/3~	<input type="checkbox"/> 230/480 VAC/3~

- Mounted Dancer: Weighted arm None
Note: The weighted dancer arm is mounted on the unit. Do not use if the Low Tension No Contact dancer is added to the system
- Levelwind system: Levelwind w/ ESTL Levelwind no ESTL None
Note: Select Levelwind w/ ESTL if electronic stop to length technology is desired.
- Levelwind product OD max.: 15mm ($\leq 5/8$ in.) 30mm ($\leq 1-1/2$ in.)
Note: Each levelwind accommodates the product outside diameter listed.
- Plug in coiler quantity: 0 (none) 1 (one) 2 (two)
- Additional plug-in shaft sizes available



WEIGHTED DANCER



ESTL SPEED VS TIME GRAPH



COLLAPSIBLE COILER

Part of the Tower Style Family of Lightweight Reeling Products

